

7001190 Dining Arm Chair in Acacia Beige

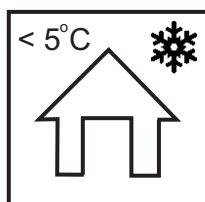
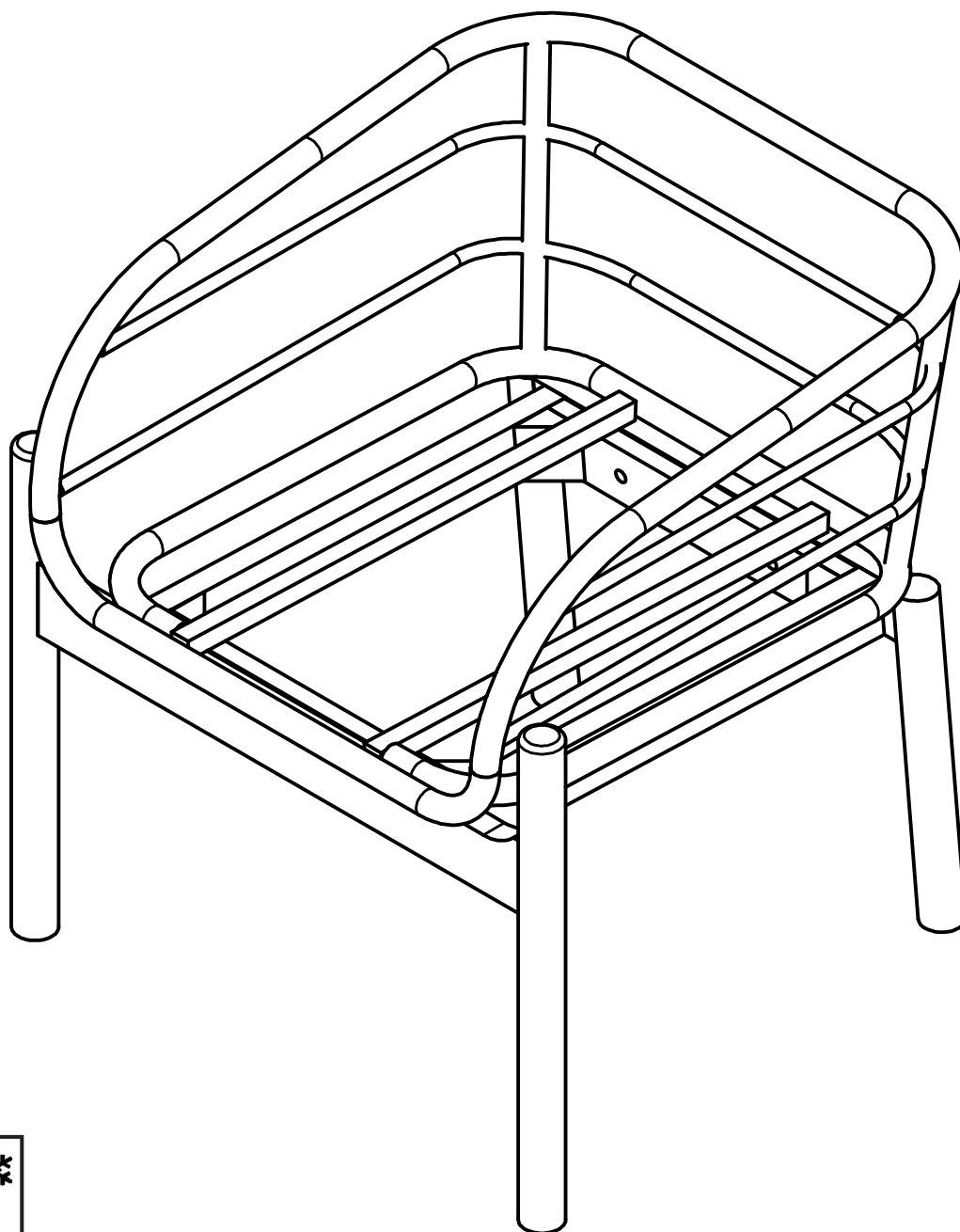


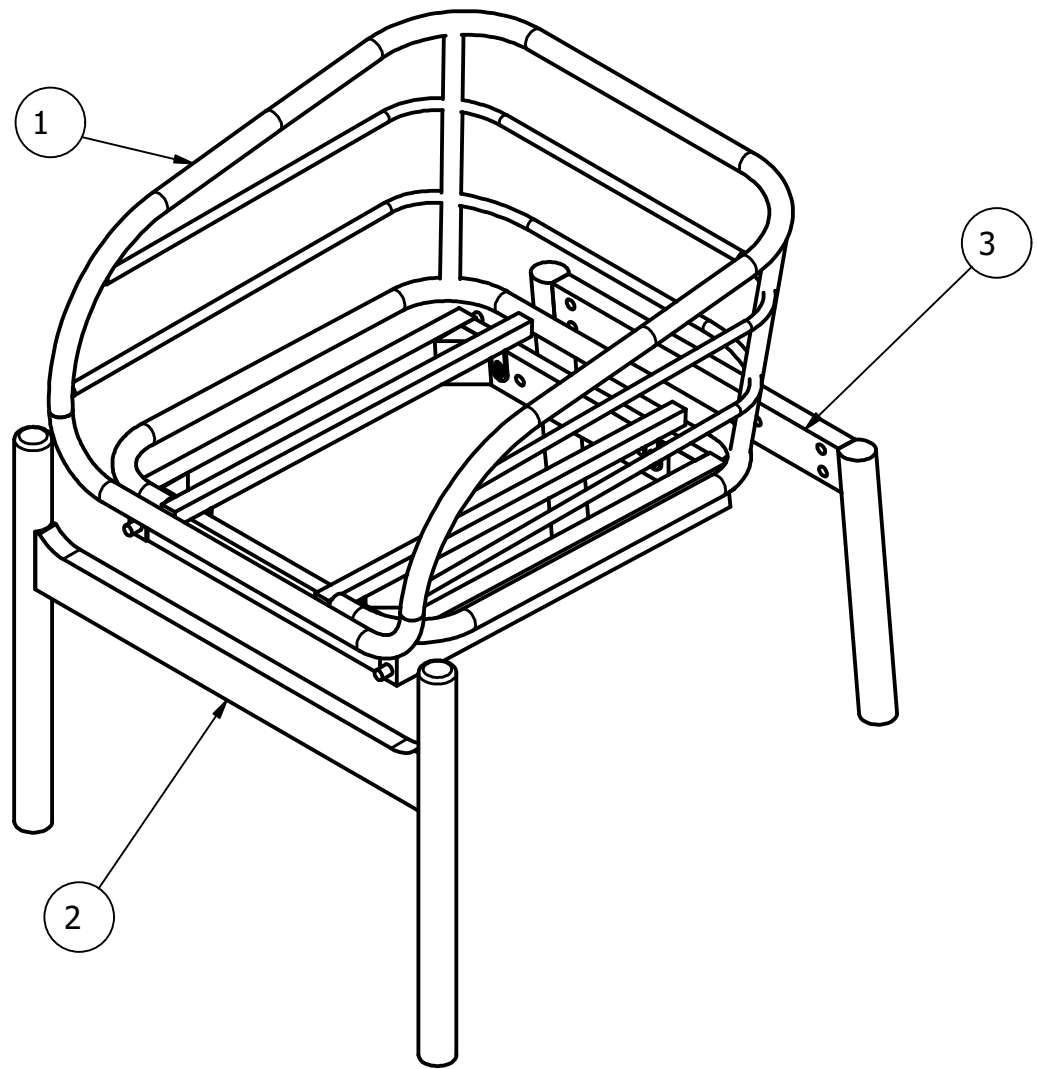
ASSEMBLY INSTRUCTIONS

Read this instruction carefully. Refer hardware and furniture parts list for guidance. Be sure all parts are complete, before assembling. Place all wooden furniture part on a clean and flat soft surface to prevent scratches. Refer steps provided as assembling guide.

CAUTIONS :

1. Do not **FULLY-TIGHTEN** the nuts or nut bolts until all are in place.
2. To prevent thread damage. Ensure that nuts or nut bolts are not over-tighten.
3. Hardware are to be kept out of reach from children.

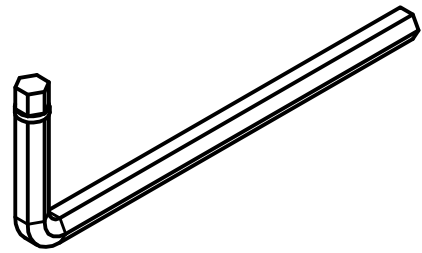
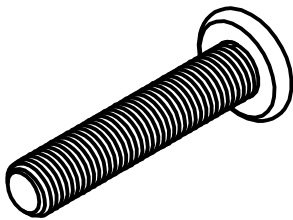




A

B

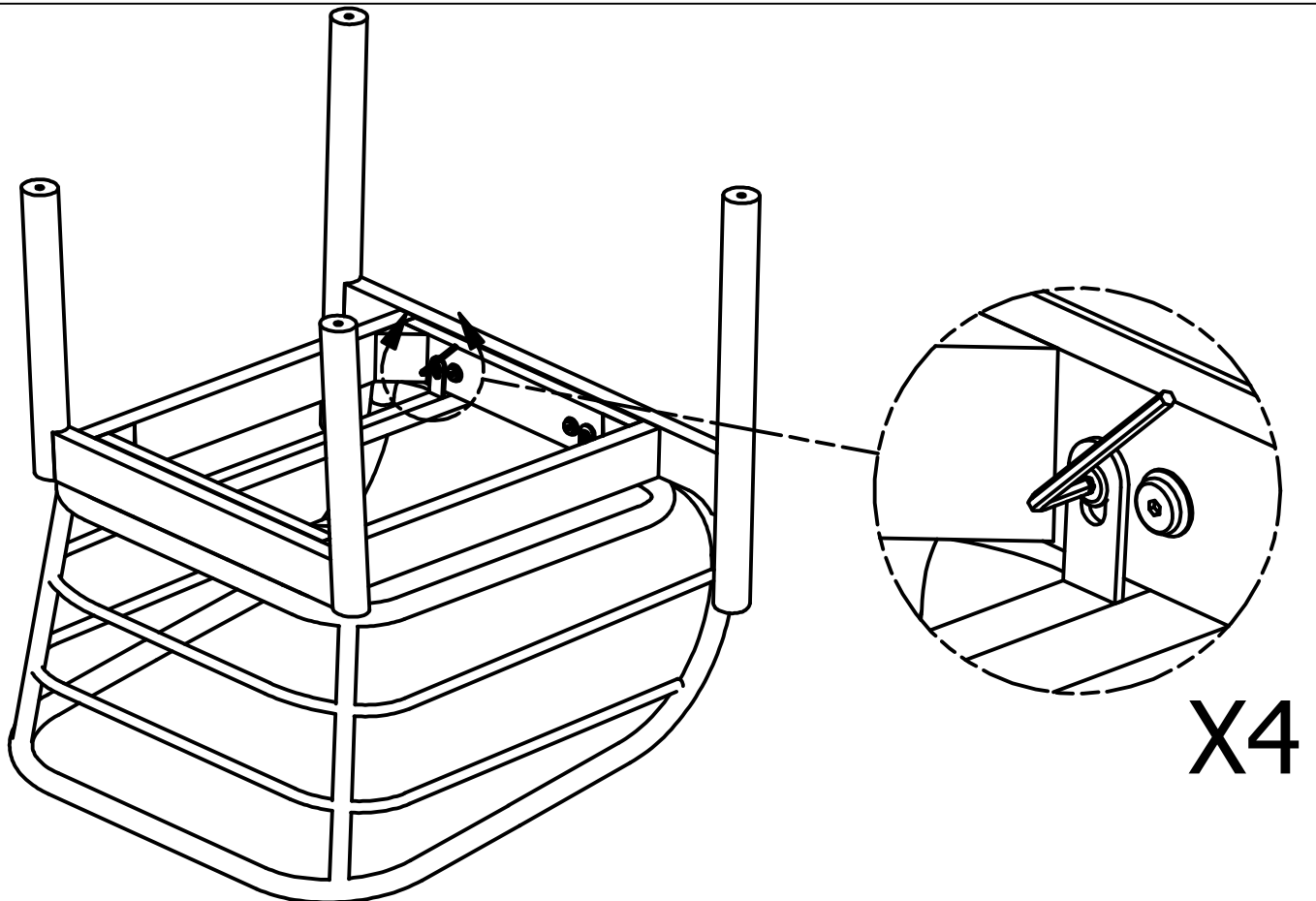
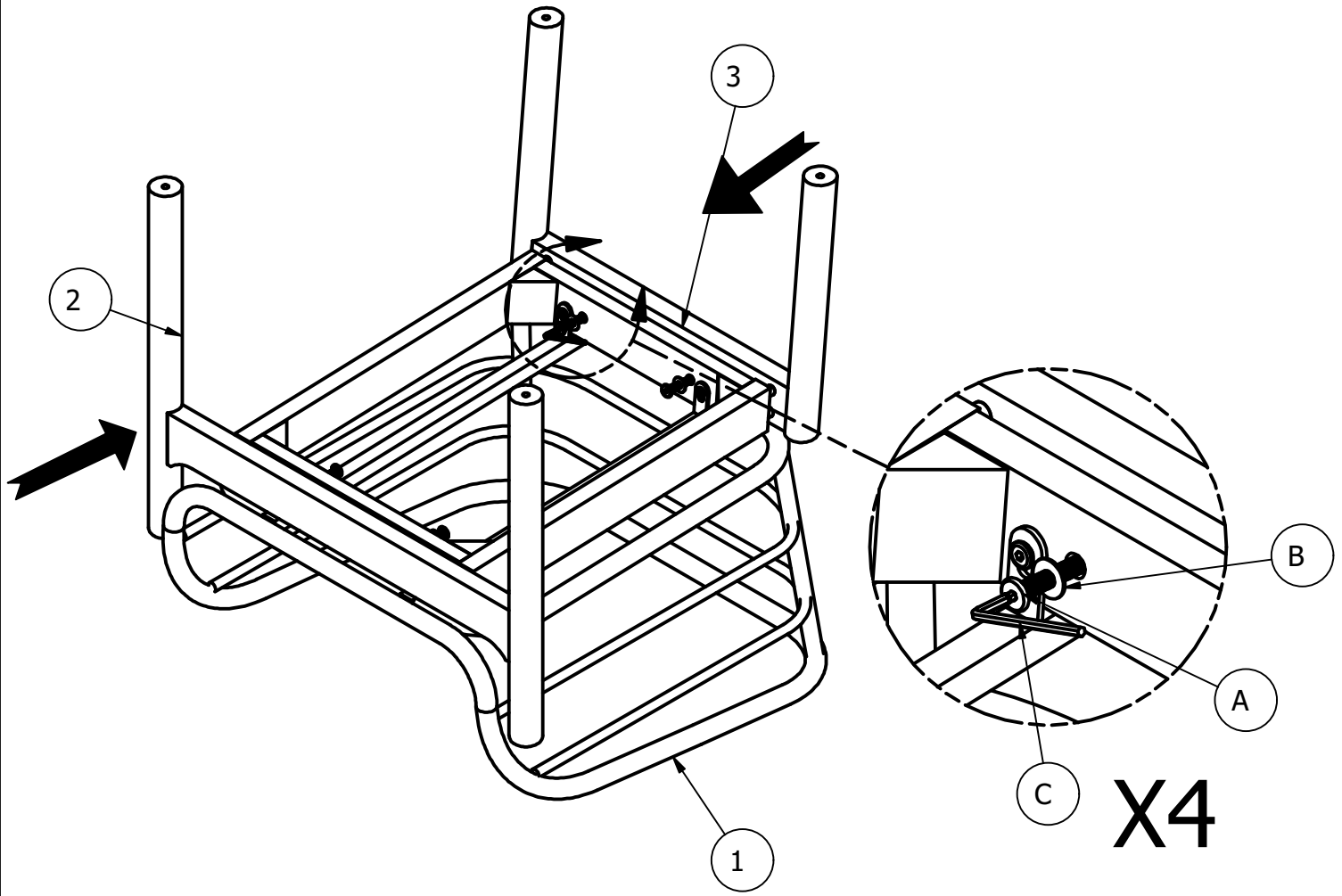
C



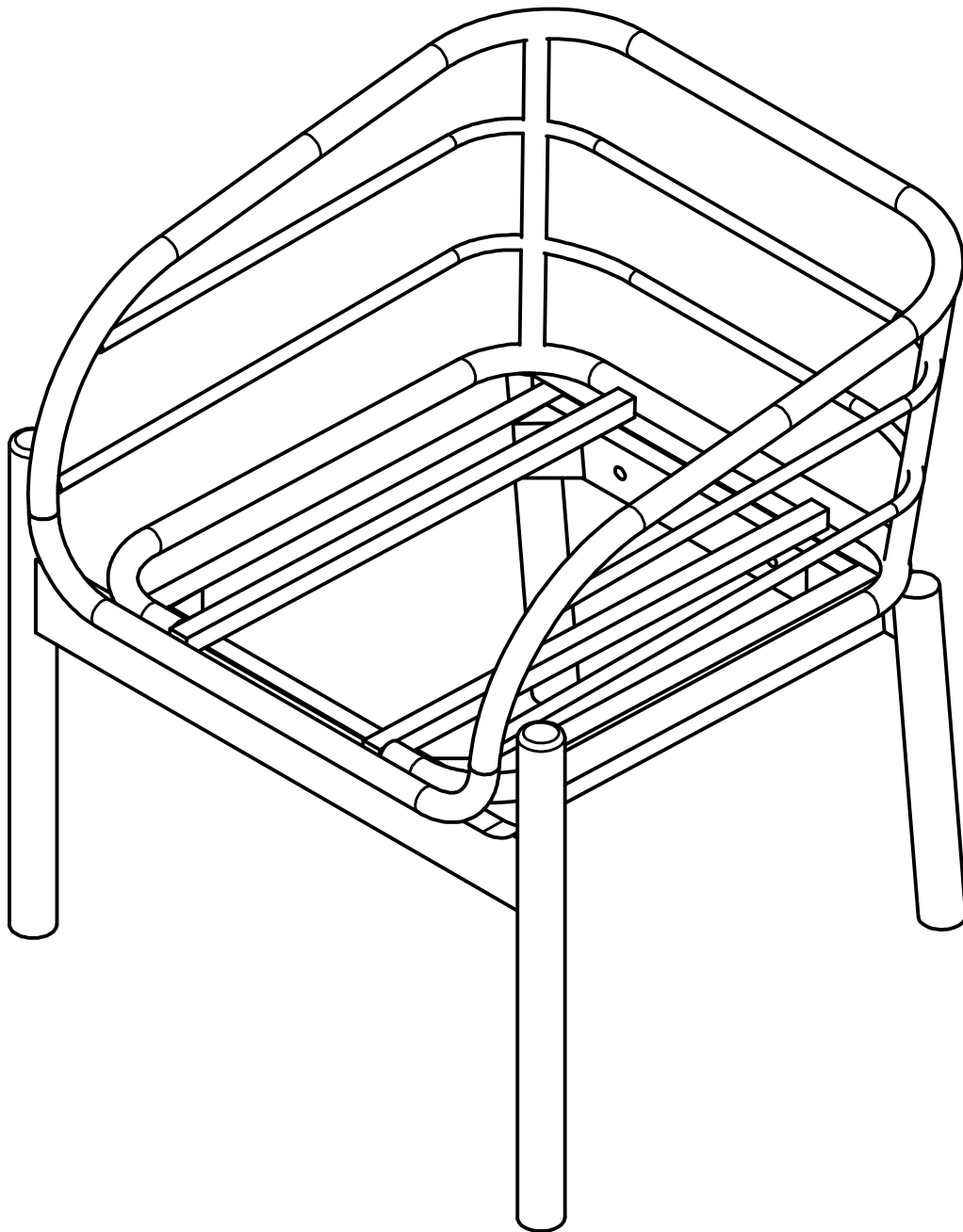
Bolt M8x35
X
4PCS

Washer
X
4PCS

Allen key
X
1PC



TIGHTEN THE SCREWS THAT MOUNT
THE IRON FRAME TO THE WOODEN PART



BE SURE TO CHECK ALL BOLTS ARE SECURELY TIGHTENED PRIOR TO USE.